

PRESSURE REGULATORS

H601 SERIES

HIGH PRESSURE REGULATOR

INDUSTRIAL
GASES



Brass pressure regulators for high pressure (max. 230 bar, 3300 psi). Control system by rubber diaphragm. Poppet-valve (shutter) and its seat capsulated in a single element, protected by a sintered filter; this solution grants a very easy maintenance and correct functioning even in presence of impurities from the supply line. Very compact design.

APPLICATIONS:

- Technical applications;
- Automation;
- Industrial processes;
- Welding and laser cutting machines;
- Heating and burning systems.

FEATURES:

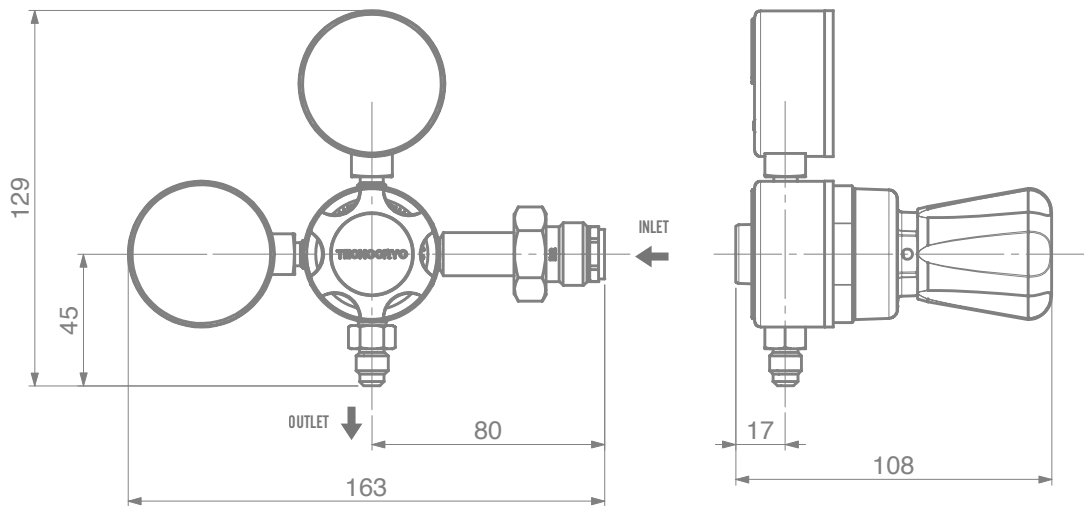
- Spring loaded diaphragm;
- Recommended for non-corrosive gases;
- Suitable for oxygen use;

MATERIALS

Body	Brass
Bonnet	Brass
Seals	PTFE
Diaphragm	Fairprene
Internal parts	Brass
Shutter	PTFE

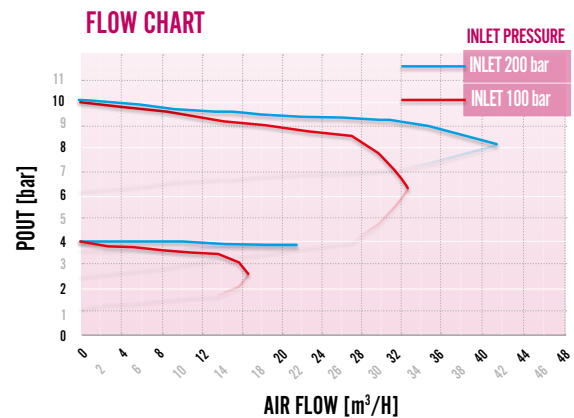
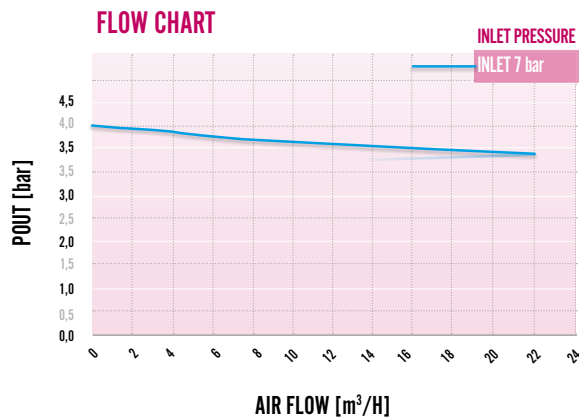
TECHNICAL DATA

P. max Inlet	230 Bar
Range pressure out	5-25 / 5-55 Bar
Flow rate	45 m ³ /h
Leak rate	10 cm ³ /h secondo ISO9090 / according to ISO9090
Weight	850 gr / 1.87 lb
Working temp.	-20°C to +60°C
Conformity to Directives	ISO2503 – ISO5171



SPECIFICATIONS:

Inlet port	Norme UNI - NEF - DIN - BS
Outlet port	1/4" SAE
Weight	1,3 kg
Temperature range	-30°C to +74°C



Code	Gas	Conn.Intel*	Conn.Outlet	Inlet Pressure	Outlet Pressure	Scale Pressure gauge Inlet	Scale Pressure gauge Outlet
H601N225	N2	2-UNI 11144	1/4"SEA M	230 bar	5÷25 bar	0÷315 bar	0÷50 bar
H601N255	N2	2-UNI 11144	1/4"SEA M	230 bar	5÷55 bar	0÷315 bar	0÷100 bar
H601N270	N2	2-UNI 11144	1/4"SEA M	230 bar	5÷70 bar	0÷315 bar	0÷100 bar
H601DIN1070	N2	DIN 10	1/4"SEA M	230 bar	5÷70bar	0÷315 bar	0÷100 bar
H601DIN1055	N2	DIN 10	1/4"SEA M	230 bar	5÷55 bar	0÷315 bar	0÷100 bar
H601N255FR	N2	NF E-650/C	1/4"SEA M	230 bar	5÷55bar	0÷315 bar	0÷100 bar
H601N255FR	N2	BS 341 NR.3	1/4"SEA M	230 bar	5÷55 bar	0÷315 bar	0÷100 bar

[*] Connections according to different standards are available