

DECOMPRESSION UNITS

SQD

DECOMPRESSION UNIT WITH 2 INLETS FOR HIGH FLOW

INDUSTRIAL
GASES



Single-stage, decompression unit for centralized, high-flow systems. Provided with two cylinder connections according to standard 2-UNI11144 or 1H-UNI11144, each one completed with on/off valve and check-valve. Using high flow rates of CO₂ and gas mixtures, preheaters up-stream the unit are recommended.

APPLICATIONS:

- Technical applications;
- Automation;
- Industrial processes;
- Welding and laser cutting machines;
- Heating and burning systems.

FEATURES:

- Spring loaded diaphragm;
- Raccomanded for non-corrosive gases;
- Suitable for oxygen use;

COMPONENTS:

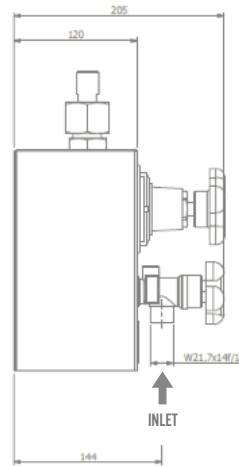
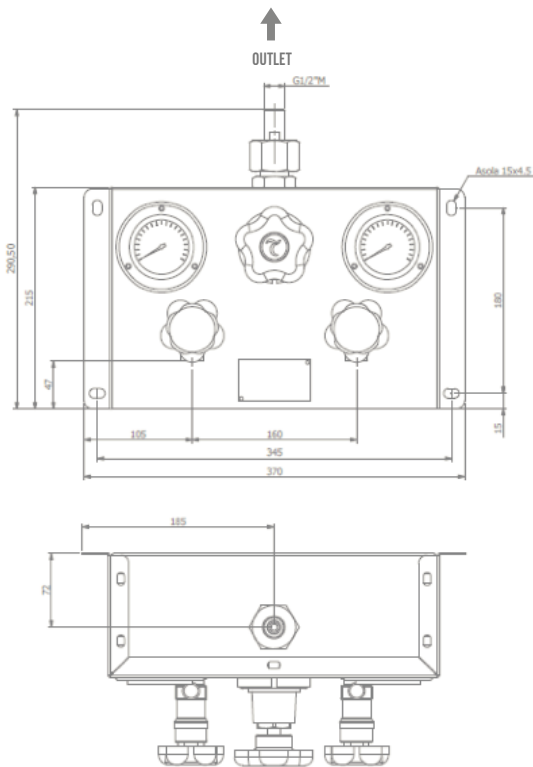
- Nr 2 shut-off valves each one including check-valve, on each inlet connection
 - Nr 1 pressure regulator
 - Nr 1 gauge for detecting the inlet pressure
 - Nr 1 gauge for detecting the output pressure
 - Nr 1 retaining frame of stainless steel
- All components are degreased for using Oxygen

MATERIALS

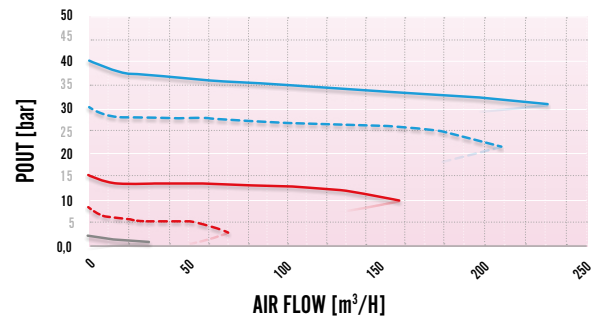
Pressure regulators	Brass
High pressure valve	Brass
Pipes	Copper 10x8
Shutter	RTFE
Piston	Brass (range 5-50 bar)

TECHNICAL DATA

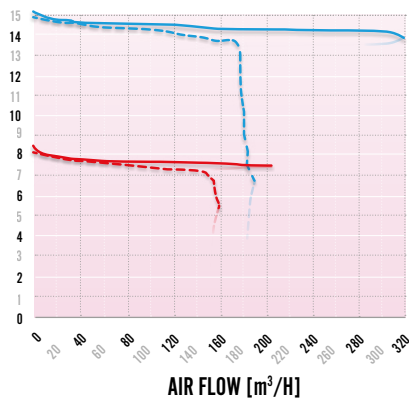
P. max Inlet	220 Bar
Range pressure out	0,2 - 1,5 / 0,2 - 4 bar / 1,5 - 15 bar / 4 - 40 bar / 5 - 50 bar
Flow rate	150 m ³ /h @ 10 bar - 400 Nm ³ / 1/2 @ 10 bar (SQD000115N/SQD00109N)
Weight	9 kg / 19.85 lb
Working temp.	-20°C to +80°C



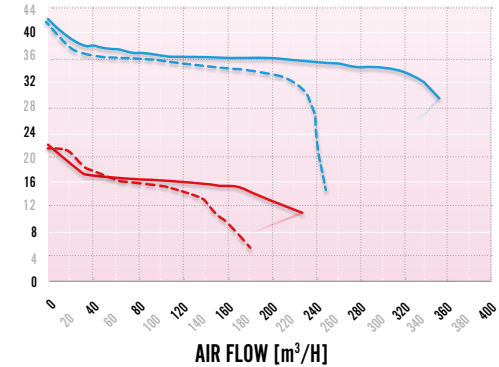
FLOW RATE SQD 00115-109



FLOW CHART 15 bar SQD 101-107



FLOW CHART 40 bar SQD 00102



STANDARD FLOW:

Code	Gas	Pout Max
SQD00101	O2, N2, Ar, air, Ar/CO2, CO2	15 bar
SQD00102	O2, N2, Ar, air, Ar/CO2, CO2	40 bar
SQD00104	Acetylene C2H2	1.5 bar
SQD00105	C3H8, LPG/GPL	4 bar
SQD00107	H2, CH4	15 bar

HIGH FLOW (LASER SERVICE):

Code	Gas	Pout Max
SQD00115N	O2, N2, Ar, air, Ar/CO2, CO2	15 bar
SQD00109N	O2, N2,	50 bar

[*] Connections according to different standards are available