

POINT OF USE SYSTEMS

SRP STANDARD FLOW

WALL-MOUNTED POINT OF USE WITH COVER, FOR NON-CORROSIVE GASES

INDUSTRIAL
GASES



SRP wall-mounting appliances consist of a single pressure regulator into a stainless steel box for an easy and simply installation. These devices provide a practical final point of use for any non-corrosive gas, for several applications when a high flow is required

APPLICATIONS:

- 2nd stage decompression unit
- Welding and cutting machines
- Heating and thermic processes
- General industrial purposes

FEATURES:

Recommended for non-corrosive technical gases
 Wall mounting
 Ready to install wall mounting panel, modular design
 1 inlet port, from the top - ball valve 3/8" GF
 1 outlet port from the button - 3/8" GM+ hose
 Rubber diaphragm

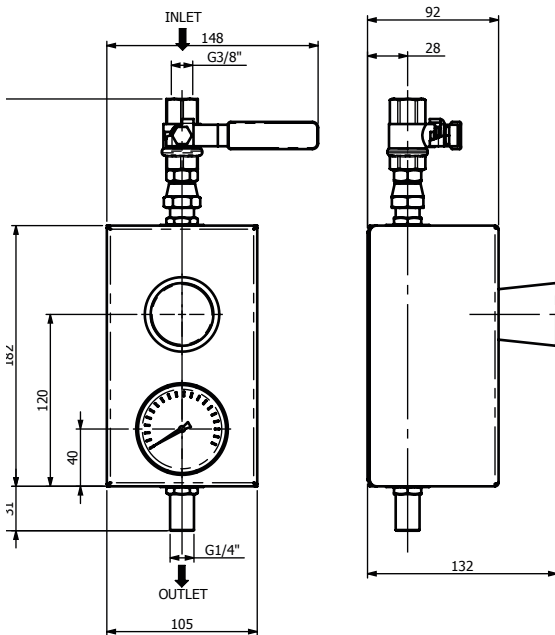
- Maximum inlet pressure 25 bar (362 psig);
- Tested for use with oxygen.

MATERIALS

Body, Bonnet	Brass barstock
Diaphragm	Rubber
Nozzle	Brass
Seat	PTFE - Kel-F
Adjust Knob	ABS plastic

TECHNICAL DATA

Type	Single stage diaphragm
Purity	Technical gases
Inlet pressure	Max. 25 bar (362 psi)
Outlet pressure	1,5/4/10/15bar (22/58/145/ psi)
Flow capacity	3-20 Nm ³ /h
Oxygen use	Suitable



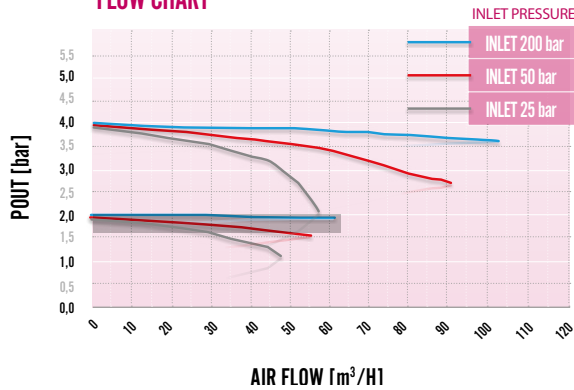
SPECIFICATIONS: For Oxygen and inert gases:

Intlet/Outlet port	3/8" (BSP) F
Weight	2,2 kg

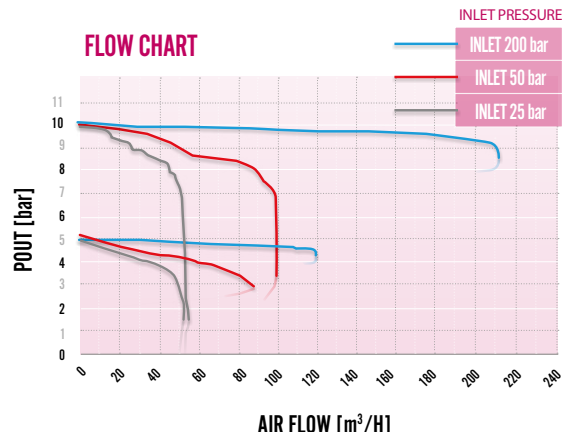
SPECIFICATIONS: For hydrogen and flammable gases:

Intlet/Outlet port	3/8" (BSP) left -hand threaded
Weight	2,2 kg

FLOW CHART



FLOW CHART



Code	Gas	Conn.Intel	Conn.Outlet	Flow	Inlet Pressure	Outlet Pressure	Gauge
SRP25L10AR000	O2	G 3/8" M Right	G 3/8" M Right	19 Nm³/h	25 bar	0,5÷10 bar	0/16 bar
	N2	G 3/8" M Right	G 3/8" M Right	20 Nm³/h	25 bar	0,5÷10 bar	0/16 bar
	Ar	G 3/8" M Right	G 3/8" M Right	17 Nm³/h	25 bar	0,5÷10 bar	0/16 bar
	CO2	G 3/8" M Right	G 3/8" M Right	15 Nm³/h	25 bar	0÷10 bar	0/16 bar
SRP25L01AR000	O2	G 3/8" M Right	G 3/8" M Right	5 Nm³/h	25 bar	0÷1,5 bar	0/2,5 bar
	N2	G 3/8" M Right	G 3/8" M Right	5 Nm³/h	25 bar	0÷1,5 bar	0/2,5 bar
	Ar	G 3/8" M Right	G 3/8" M Right	4 Nm³/h	25 bar	0÷1,5 bar	0/2,5 bar
SRP00012	H2/CH4	G 3/8" M Right	G 3/8" M Left	75/30 Nm³/h	25 bar	0,5÷10 bar	0/16 bar
SPR25L01AL000	C2H2	G 3/8" M Right	G 3/8" M Left	3 Nm³/h	1,5 bar	0÷1,5 bar	0/2,5 bar
	H2/CH4	G 3/8" M Right	G 3/8" M Left	25/7 Nm³/h	6 bar	0÷1,5 bar	0/2,5 bar
	GPL	G 3/8" M Right	G 3/8" M Left	4 Nm³/h	6 bar	0÷1,5 bar	0/2,5 bar
Code	Gas	Conn.Intel	Conn.Outlet	Flow	Inlet Pressure	Outlet Pressure	Manoflowmeter
SRP25L04AR301	Ar	G 3/8" M Right	G 3/8" M Right	4÷32 Nm³/h	25 bar	3,5 bar	4/32 bar
	CO2	G 3/8" M Right	G 3/8" M Right	4÷32 Nm³/h	25 bar	3,5 bar	4/32 bar
	Mix	G 3/8" M Right	G 3/8" M Right	4÷32 Nm³/h	25 bar	3,5 bar	4/32 bar