

PRESSURE REGULATORS SECOND STAGE

TCR 6

**STANDARD SERIES
FROM 1/4" TO 3/4", 60 BAR (70 BAR OPTIONAL)**

Brass 316 L pressure regulators designed and manufactured for heavy-duty applications. Control system with convoluted diaphragm for the best stability and precision. Balanced poppet-valve (shutter) to keep the outlet pressure almost constant and independent from inlet pressure fluctuations. Self-relieving execution for exhausting over-pressure, just for compressed air application. Outlet pressure range till to 50 bar (725 psi). Adjusting by screw with hex. head. Connections for outlet pressure gauge on both sides. Special version (i.e. no self-relieving for gases and liquid) available on request. Important: the use of an upstream filter is always recommended.

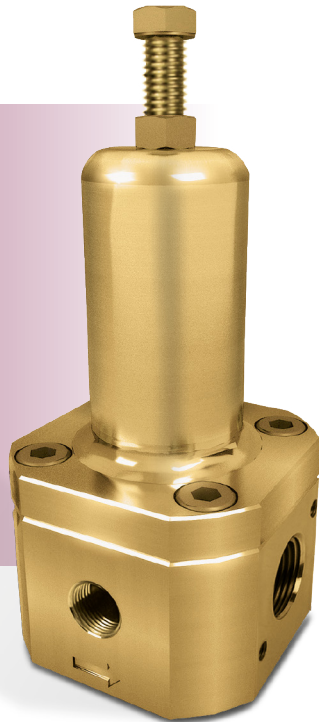
APPLICATIONS:

- Pharmaceutical industry;
- Chemical industry;
- Oil & gas and Off Shore applications;
- Food industry;

FEATURES:

- Particular attention to the low level of surface roughness, a high cleaning standard;
- Compatible for use in aggressive environments;
- Suitable for extreme temperatures (-60°C), critical environments, hazardous applications;
- Suitable to be cleaned and sanitized by the most common processes.

INDUSTRIAL
GASES



MATERIALS

Body, bonnet	Brass
Seals	NBR
Diaphragm	NBR
Internal parts	Brass
Shutter	NBR

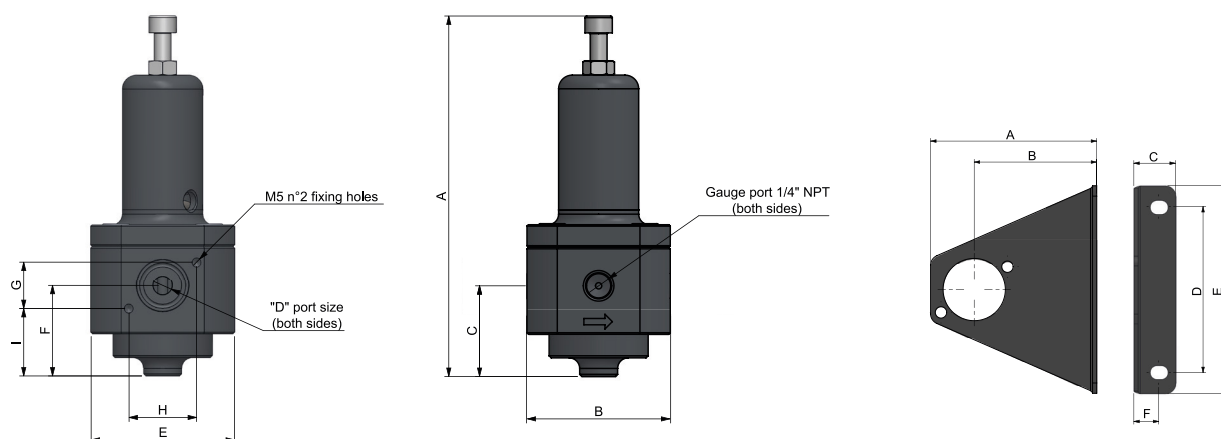
TECHNICAL DATA

1/2"

Port thread	1 1/2" BSP F - 1 1/2" NPT F
P. max Inlet	60 Bar (50 bar Temp > 80°C) Optional version TCR7 70 BAR
Range outlet pressure	0.3-3 / 0.5-8 / 0.5-17.2 / 2.5-25 / 5-50 Bar
Gauge connections	1/4" BSP F - 1/4" NPT F
Self-relieving port	M6
Flow rate*	370 Nm ³ /h – 6166 dm ³ /min
Kv*	Kv = 2.12 Nm ³ /h (EN 60534)
Weight	2.3kg/5lb
Working temp.	-25°C to +110°C (HNBR) / -50°C to +130°C (EPDM) / -60°C to +230°C Silicone / -20°C +200°C FKM (optional)
Conformity to Directives	ATEX 2014/ 34/ EU - PED 2014/68/ EU - ASTM A182 Nace MRO.175

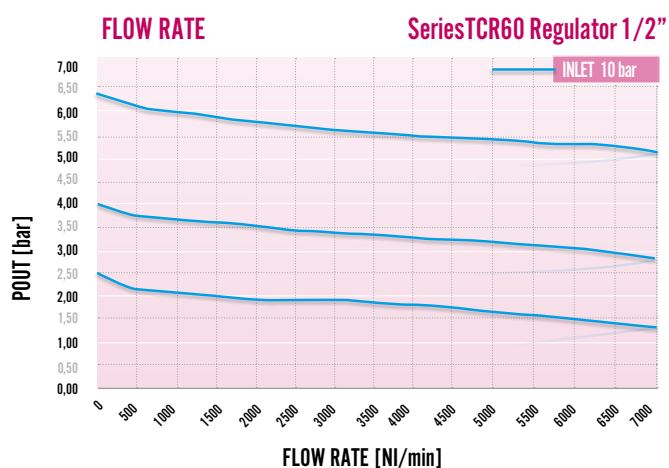
* PIN 10bar, POUT 6.3bar, ΔP 1bar

PRESSURE REGULATORS SECOND STAGE



SIZE	A	B	C	D	E	F	G	H	I
1/2"	166	68	43	163	68	43	22	32	32

SIZE	A	B	C	D	E	F
1/2"	80	59	20	80	100	12



OPTIONALS :

- Bracket • Gauge • Flanges (EN1092-1 / ANSI) • Tri-Clamp connections • Without relieving • Dome loaded version
- Oring Kalrez ® • Threaded connection for exhausting gas on bonnet • FDA Approval

Code	Gas	Inlet Conn	Outlet Conn	Inlet pressure	Out. Press	Gauge
TCR6B3R22JE00001	O2-N2-Ar-He-Co2	1/2"	1/2"	60 bar	0.3-3 bar	6 bar
TCR6B3R22JN00001	H2-CH4-GPL-Air	1/2"	1/2"	60 bar	0.3-3 bar	6 bar
TCR6B8R22JE00001	O2-N2-Ar-He-Co2	1/2"	1/2"	60 bar	0.3-8 bar	16 bar
TCR6B8R22JN00001	H2-CH4-GPL-Air	1/2"	1/2"	60 bar	0.3-8 bar	16 bar
TCR6B17R22JE00001	O2-N2-Ar-He-Co2	1/2"	1/2"	60 bar	0.5-17 bar	25 bar
TCR6B17R22JN00001	H2-CH4-GPL-AIR	1/2"	1/2"	60 bar	0.5-17 bar	25 bar