

PRESSURE REGULATORS

825 SERIES

HIGH PRESSURE REGULATOR FOR MEDIUM FLOW

INDUSTRIAL
GASES



Brass pressure regulators for high pressure service. Control system with a large rubber or stainless steel diaphragm (diam. 70 mm) for a better stability and control. Poppet-valve (shutter) and its seat capsulated in a single element, protected by a sintered filter; this solution grants a very easy maintenance and correct functioning even in presence of impurities from the supply line.

APPLICATIONS:

- Technical applications;
- Automation;
- Industrial processes;
- Welding and laser cutting machines;
- Heating and burning systems.

FEATURES:

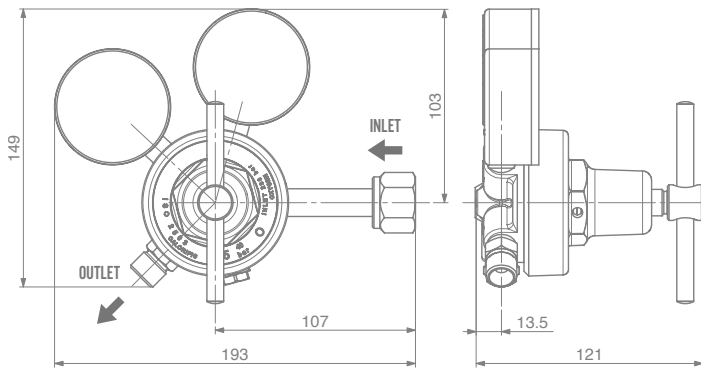
- Spring loaded diaphragm;
- Recommended for non-corrosive gases;
- Suitable for oxygen use;

MATERIALS

Body	Brass
Bonnet	Zamac 15 chrome
Seals	PTFE
Diaphragm	Fairprene: for range 0-1.5 / 0-4 / 0.5-10 / 1-15 Bar Stainless steel: for range 0-25 / 0-40 / 0-50 Bar
Internal parts	Brass
Shutter	PTFE

TECHNICAL DATA

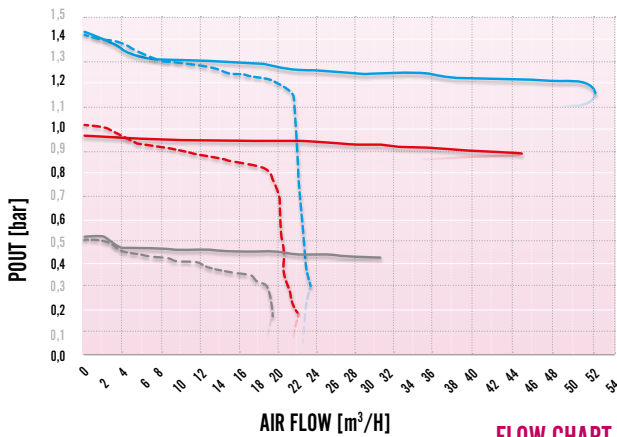
P. max Inaet	230 Bar
Range pressure out	0-1,5 / 0-4 / 0,5-15 / 0-40 Bar
Flow rate	450 m ³ /h
Leak rate	10 cm ³ /h secondo ISO9090 / according to ISO9090
Weight	1.3 kg / 2.8 lb 1.8 Kg / 4 lb
Working temp.	-20°C to +60°C
Conformity to Directives	ISO2503 – ISO5171



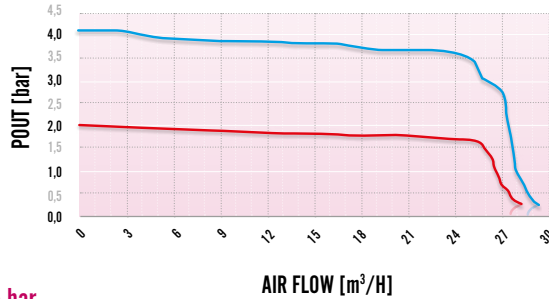
SPECIFICATIONS:

Inlet port	1/4" NPT-F + UNI Bottle Connection
Outlet port	3/8" BSP-M
Weight	1,3 kg 1,8 Kg
Temperature range	-30°C to +74°C

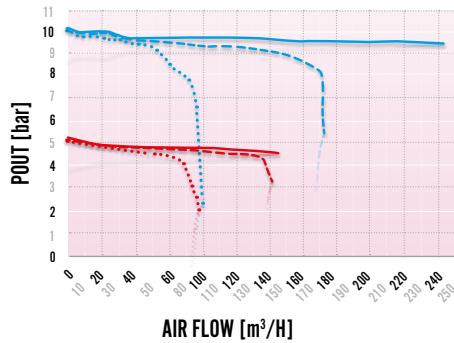
FLOW CHART 1,5 bar AC



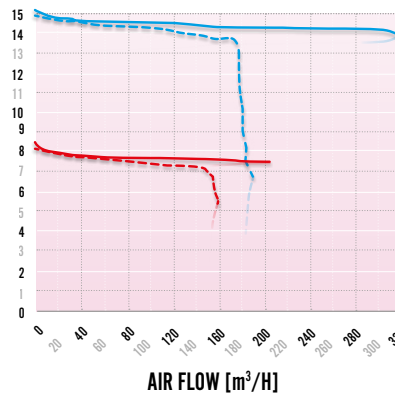
FLOW CHART 4 bar LPG



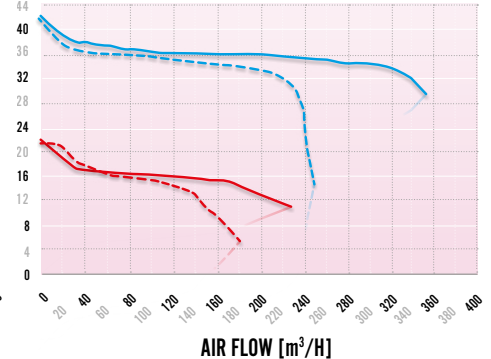
FLOW CHART 10 bar



FLOW CHART 15 bar



FLOW CHART 40 bar



Code	Gas	Conn.Intel*	Conn.Outlet	Inlet Pressure	Outlet Pressure	Scale Pressure gauge Inlet	Scale Pressure gauge Outlet
SRH01012	CO2	2-UNI 11144	G 3/8" M Right	230 bar	0,5÷10 bar	0÷315 bar	0÷16 bar
SRH01015	O2	2-UNI 11144	G 3/8" M Right	230 bar	0,5÷15 bar	0÷315 bar	0÷25 bar
SRH2015	N2	5-UNI 11144	G 3/8" M Right	230 bar	0,5÷15 bar	0÷315 bar	0÷25 bar
SRH06021	C2H2	7S-UNI 11144	G 3/8" M Left	25 bar	0÷1,5 bar	0÷40 bar	0÷25 bar
SRH06022	C2H2	7F-UNI 11144	G 3/8" M Left	25 bar	0÷1,5 bar	0÷40 bar	0÷25 bar
SRH07015	H2 - CH4	1H-UNI 11144	G 3/8" M Left	230 bar	0,5÷15 bar	0÷315 bar	0÷25 bar
SRH08011	GPL	1P-UNI 11144	G 3/8" M Left	25 bar	0÷4 bar	0÷40 bar	0÷6 bar
SRH01040	O2	2-UNI 11144	G 3/8" M Right	230 bar	4÷40 bar	0÷315 bar	0÷60 bar
SRH02040	N2	5-UNI 11144	G 3/8" M Right	230 bar	4÷40 bar	0÷315 bar	0÷60 bar

[*] Connections according to different standards are available