

## PRESSURE REGULATORS FOR NON-CORROSIVE GASES

In-line regulators

### LHPI 723-743

HIGH PURITY - CHROME PLATED BRASS REGULATOR

The LHPI 723-743 Model is a stainless steel and chrome plated single stage cylinder regulator with a stainless steel diaphragm for general laboratory use. The LHP743 can be used when a slight pressure rise from full to empty cylinder can be tolerated

#### APPLICATIONS:

- Non-corrosive gases;
- Vacuum control
- Purging;
- Pressure testing;
- Blanketing

#### FEATURES:

- Recommended for gas purity up to grade 5.0 (>99.999);
- 302L stainless steel diaphragm eliminates contamination from diffusion or outgassing;
- One-piece encapsulated seat design to protect seat from particulate contamination;
- Chrome plated bonnet, body and fittings;
- 1x10<sup>-9</sup>mbar l/s He inboard helium leak rate to maintain gas purity levels;
- Maximum inlet pressure 200 bar



PURE GASES

#### MATERIALS

<b>Body, bonnet</b>	Stainless steel - Chrome plated die cast
<b>Diaphragm</b>	Hastelloy® * C276
<b>Nozzle</b>	316L stainless steel
<b>Seat</b>	PCTFE
<b>Seals O-ring</b>	Viton **FKM KALREZ for corrosive gases
<b>Filter</b>	Stainless steel sintered - 10 micron
<b>Adjust. Knob</b>	ABS plastic

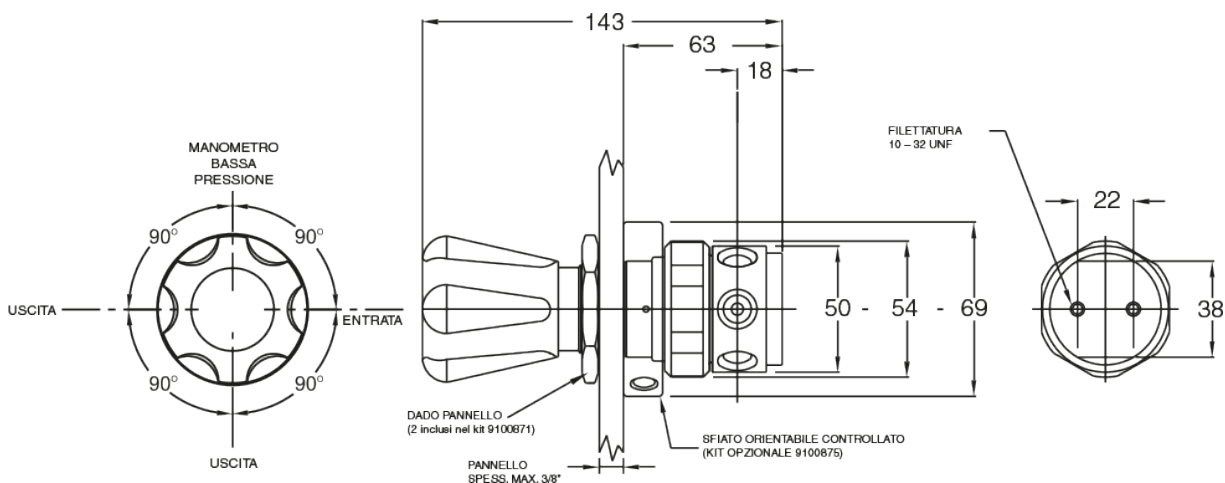
\*Hastelloy® is a registered trademark name of Haynes International, Inc

\*\* Viton® is a registered trademark of The Chemours Company

#### TECHNICAL DATA

<b>Type</b>	Single-stage
<b>Purity</b>	Up to 5.0
<b>Inlet pressure</b>	Max. 200 bar
<b>Outlet pressure</b>	1.5 / 2 / 4 / 10 / 20 bar
<b>Flow capacity</b>	Cv = 0,08
<b>Oxygen use</b>	Suitable

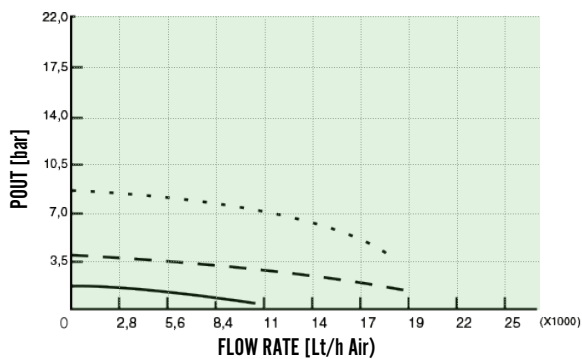
## In-line regulators



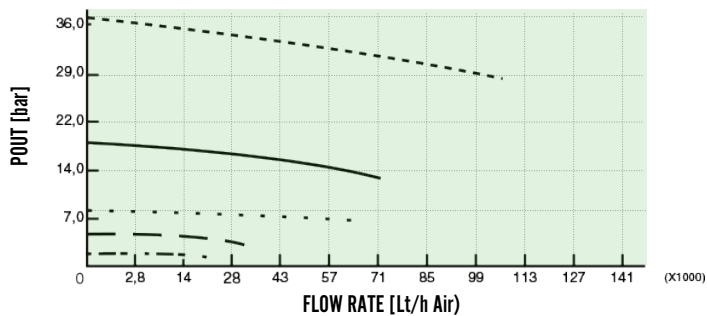
### SPECIFICATIONS

Inlet / outlet ports	1/4" NPT F
Weight	1,6 kg

### FLOW CHART



- 1,03 @ 14 BAR INGRESSO ———
- 3,50 @ 14 BAR INGRESSO - - - - -
- 8,60 @ 14 BAR INGRESSO - - - - -



- 1,03 @ 140 BAR INGRESSO - - - - -
- 3,50 @ 140 BAR INGRESSO - - - - -
- 8,60 @ 140 BAR INGRESSO - - - - -
- 17,50 @ 24 BAR INGRESSO - - - - -
- 17,50 @ 140 BAR INGRESSO - - - - -
- 35,00 @ 40 BAR INGRESSO - - - - -
- 35,00 @ 140 BAR INGRESSO ———