

MANIFOLDS For Pure Gases

LRC



MANIFOLD FOR DISTRIBUTION OF HIGH PURITY, NON CORROSIVE GASES

These manifolds are designed to connect one or more gas bottles to a single line.

Each inlet connection is

equipped with:

- Manual shut-off valve check-valve
- Check-valve, to prevent any return of gas
- Bleeding valve, to clean the circuit before operating

Each manifold provides two outlet connections, one on each side, for full installation flexibility

PURE
GASES



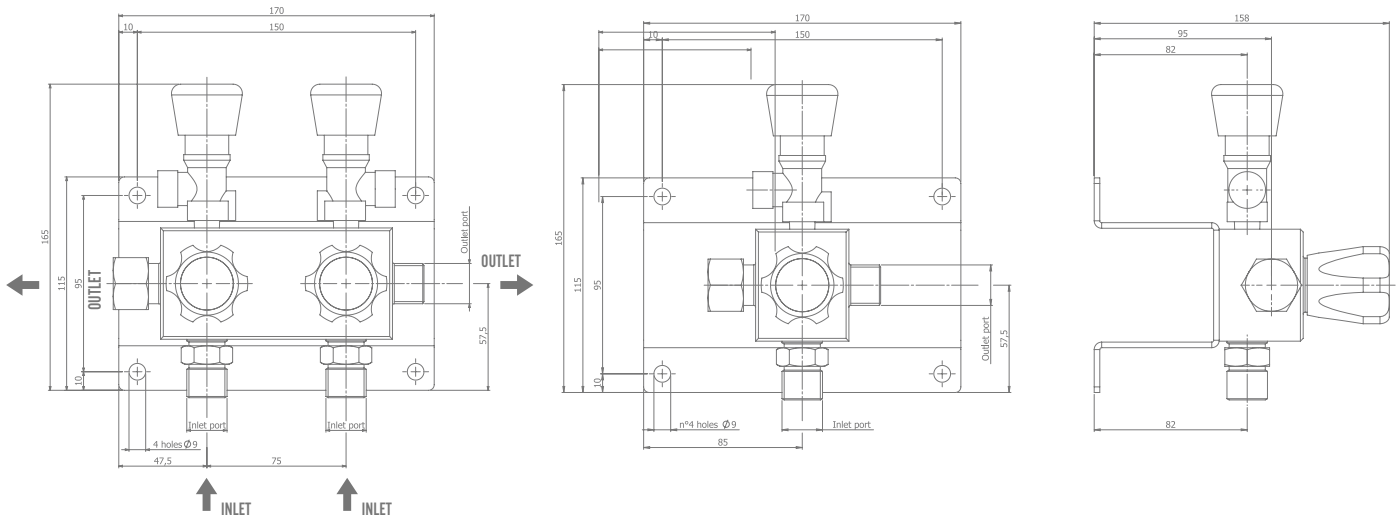
MATERIALS

Body	Made of chrome-plated brass Cleaned and degreased for oxygen service
Panel	Anodised aluminium for wall mounting
Knobs	Plastic

TECHNICAL DATA

	Inert gases and oxygen	Flammable gases
Working pressure	Max. 300 bar	
Inlet/outlet connections	Threaded W21.7 x 1/14" male, right-hand	Threaded W20 x 1/14" male, left-hand
Supplementary outlet connections	Plugged by female cup	
Venting connections on bleeding valves	Threaded 1/4" NPT-F	

For Pure Gases



SPECIFICATIONS:	H ₂ -flammable gases	O ₂ -inert gases
Inlet/Outlet port	W20 x 1/14"	W21,7 x 1/14"
Weight	2,1 kg for single bottle 4,2 kg for two bottles	
Temperature range	-20°C to + 110°C	

NR. OF BOTTLES	GAS	CODE
1 bottle	Inert gas and oxygen	LRC300011
2 bottles	Inert gas and oxygen	LRC300012
1 bottle	Flammable gas	LRC300071
2 bottles	Flammable gas	LRC300072

2

PURE GASES