

PRESSURE REGULATORS

SERIE H25

HIGH PRESSURE REGULATOR FOR HIGH FLOW

INDUSTRIAL
GASES



Pressure regulators in brass for high pressure designed for applications whenever very high flows are required. Control system by large stainless steel diaphragm for a better stability and control. Poppet-valve (shutter) and its seat capsulated in a single element, protected by a sintered filter; this solution grants a very easy maintenance and correct functioning even in presence of impurities from the supply line.

APPLICATIONS:

- Technical applications;
- Automation;
- Industrial process;
- Welding and laser cutting machines;
- Heating and burning systems.

FEATURES:

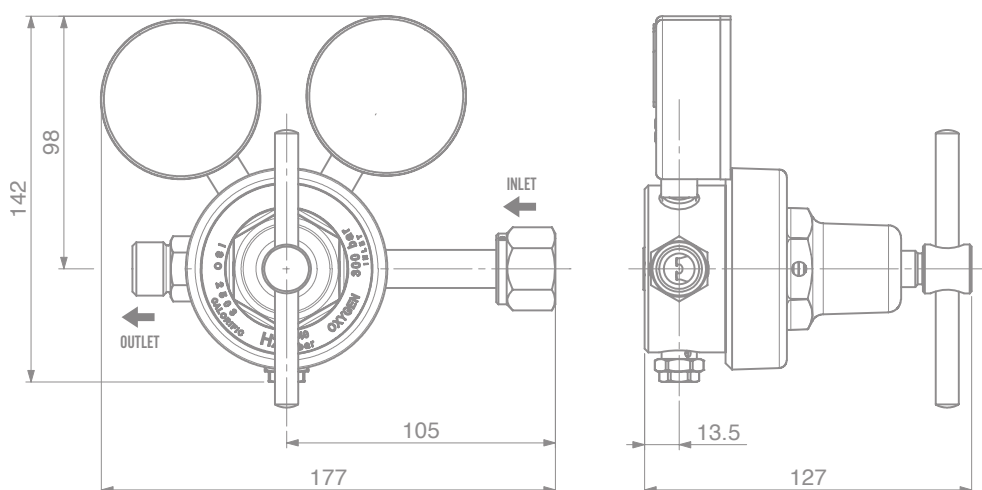
- Spring loaded diaphragm;
- Recommended for non-corrosive gases;
- Suitable for oxygen use;

MATERIALS

Body	Brass
Bonnet	Zamac 15 chrome
Seals	Kel-F
Internal parts	Ottone / Brass
Shutter	Kel-F

TECHNICAL DATA

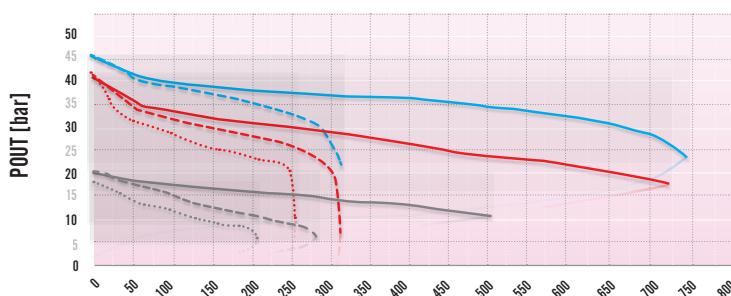
P. max Intet	300 Bar
Renge pressure out	0.5-15 / 0.5-25 / 0.5-40 Bar
Flow rate	700 m3/h
Lake rate	10 cm3/h secondo ISO9090 / according to ISO90900
Weight	2 kg / 4,5 lb
Working temp	-20°C to +60°C
Conformity to Directive	ISIS02503 – ISO5171



SPECIFICATIONS:

Inlet port	1/4" NPT-F + UNI Bottle Connection - NEF - DIN -BS
Outlet port	31/2" BSPP M
Weight	2 kg
Temperature range	-30°C to +74°C

FLOW CHART



Code	Gas	Inlet Conn. [*]	Inlet Pressure	Outlet Pressure	Gauge Inlet	Gauge Outlet
SRH01017	O2	G 1/2" M Right	300 bar	0,5÷15 bar	0÷400 bar	0÷25 bar
SRH01041	O2	G 1/2" M Right	300 bar	0,5÷40 bar	0÷400 bar	0÷25 bar
SRH02017	O2	G 1/2" M Right	300 bar	0,5÷15 bar	0÷400 bar	0÷25 bar
SRH02041	O2	G 1/2" M Right	300 bar	0,5÷40 bar	0÷400 bar	0÷25 bar

[*] Connections according different standard are available