

## PRESSURE REGULATORS

## H25 SERIES

### HIGH PRESSURE REGULATOR FOR HIGH FLOW

INDUSTRIAL  
GASES



Brass pressure regulators for high pressure designed for applications whenever very high flows are required. Control system by large stainless steel diaphragm for a better stability and control. Poppet-valve (shutter) and its seat capsulated in a single element, protected by a sintered filter; this solution grants a very easy maintenance and correct functioning even in presence of impurities from the supply line.

#### APPLICATIONS:

- Technical applications;
- Automation;
- Industrial processes;
- Welding and laser cutting machines;
- Heating and burning systems.

#### FEATURES:

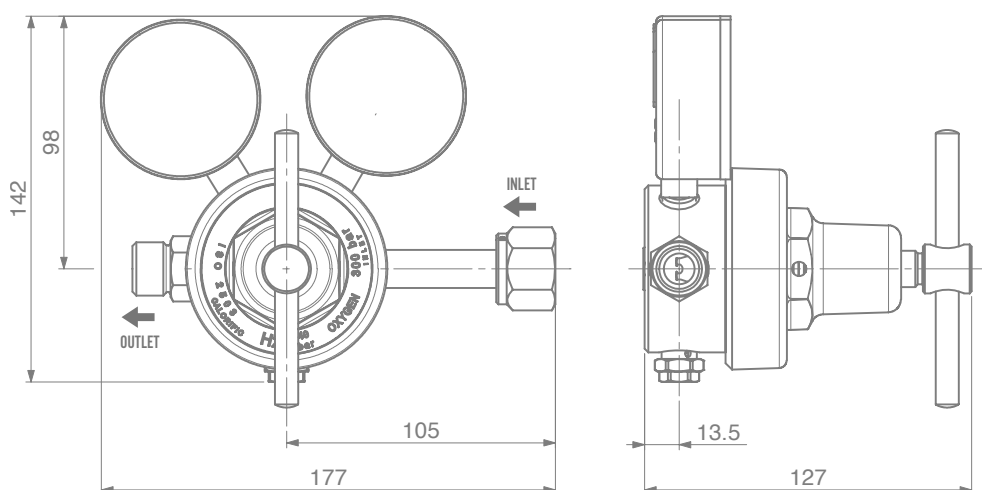
- Spring loaded diaphragm;
- Recommended for non-corrosive gases;
- Suitable for oxygen use;

#### MATERIALS

<b>Body</b>	Brass
<b>Bonnet</b>	Zamac 15 chrome
<b>Seals</b>	Kel-F
<b>Internal parts</b>	Ottone / Brass
<b>Shutter</b>	Kel-F

#### TECHNICAL DATA

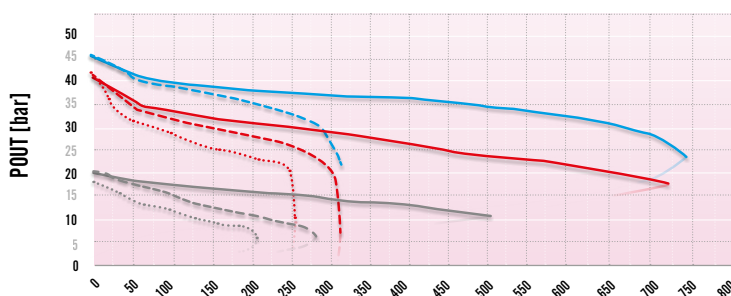
<b>P. max Inlet</b>	300 Bar
<b>Range pressure out</b>	0.5-15 / 0.5-25 / 0.5-40 Bar
<b>Flow rate</b>	700 m <sup>3</sup> /h
<b>Leak rate</b>	10 cm <sup>3</sup> /h secondo ISO9090 / according to ISO90900
<b>Weight</b>	2 kg / 4,5 lb
<b>Working temp.</b>	-20°C to +60°C
<b>Conformity to Directives</b>	ISIS02503 – ISO5171



## SPECIFICATIONS:

<b>Inlet port</b>	1/4" NPT-F + UNI Bottle Connection - NEF - DIN -BS
<b>Outlet port</b>	31/2" BSPP M
<b>Weight</b>	2 kg
<b>Temperature range</b>	-30°C to +74°C

## FLOW CHART



Code	Gas	Inlet Conn. [*]	Inlet Pressure	Outlet Pressure	Gauge Inlet	Gauge Outlet
SRH01017	O2	G 1/2" M Right	300 bar	0,5÷15 bar	0÷400 bar	0÷25 bar
SRH01041	O2	G 1/2" M Right	300 bar	0,5÷40 bar	0÷400 bar	0÷25 bar
SRH02017	O2	G 1/2" M Right	300 bar	0,5÷15 bar	0÷400 bar	0÷25 bar
SRH02041	O2	G 1/2" M Right	300 bar	0,5÷40 bar	0÷400 bar	0÷25 bar

[\*] Connections according to different standards are available