

## GAS SUPPLY PANELS

### LHPI 100P

#### HIGH PURITY – ONE SIDE SUPPLY PANEL

PURE GASES



The LHPI 100P is a high purity gas supply panel. Manual adjustment of the regulator allow set a pressure. The system includes purge function. Designed for applications where a slight rise in delivery pressure from full to empty cylinder can be tolerated or as the first stage of pressure reduction.

#### APPLICATIONS:

- Laboratory pressure control;
- Research sample systems gases;
- Component testing;
- Petrochemical industry;
- Emission monitoring systems;
- Controlled atmosphere;
- Service & test equipment.

#### FEATURES:

- Recommended for non-corrosive gases purity levels up to grade 6.0 (99.9999);
- Wall mounting panel and brackets included;
- Ready to install wall mounting panel;
- Metal steel diaphragm eliminates contamination from diffusion or outgassing;
- Purge function and diaphragm shut-off valves for the best results;
- Possible to connect 2 gas cylinders or gas cylinder and a gas for purging operation;
- LHPI 100PC - chrome plated body, bonnet and fittings;
- LHPI 100PS - 316L stainless steel body, bonnet and fittings;
- 1x10<sup>-9</sup> mbar l/s He inboard helium leak rate to maintain gas purity levels;
- Inlet / outlet - 1/4" FNPT;
- Maximum inlet pressure 300 bar (4350 psig);
- External relief valve standard;
- Tested for use with oxygen.

#### MATERIALS

<b>Body, bonnet</b>	316L stainless steel barstock LHPI 200PS or chrome plated brass barstock LHPI 100PC
<b>Diaphragm (regulator)</b>	Hastelloy® * C276
<b>Diaphragm (valve)</b>	Elgiloy®**
<b>Nozzle</b>	316L stainless steel
<b>Seat</b>	PEEK
<b>Seals O-ring</b>	Viton® *** (FKM)
<b>Filter</b>	SS 316L
<b>Adjust. Knob</b>	ABS plastic

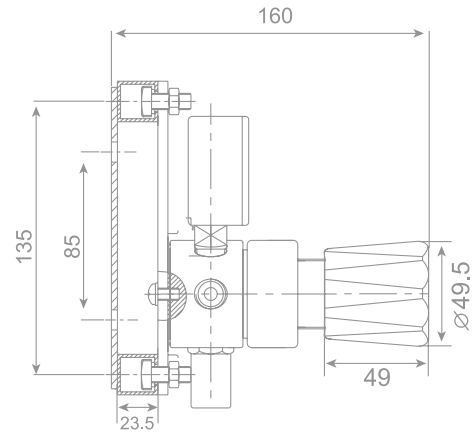
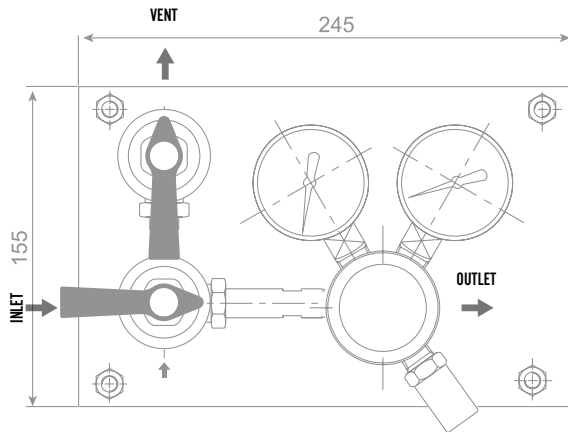
\* Hastelloy® is a registered trademark name of Haynes International, Inc

\*\* Elgiloy® a registered trademark of Elgiloy Specialty Metals

\*\*\* Viton® is a registered trademark of The Chemours Company

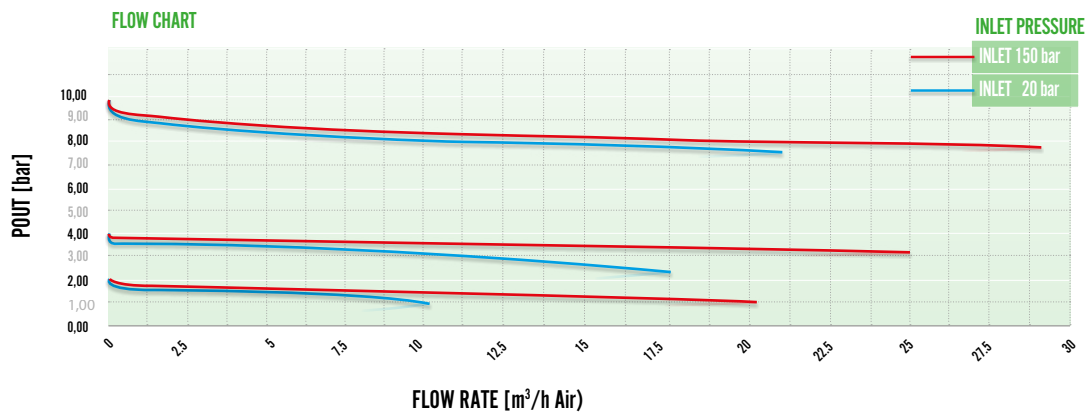
#### TECHNICAL DATA

<b>Panel type</b>	One side
<b>Regulator type</b>	Single stage
<b>Purity</b>	Up to 6.0
<b>Inlet pressure</b>	Max. 300 bar (4350 psi)
<b>Outlet pressure</b>	2/4/10/20 bar (29/58/145/290 psi) 50/100/200 bar (720/1450/2900 psig)
<b>Purge function</b>	Yes
<b>Oxygen use</b>	Suitable



## SPECIFICATIONS

Inlet / outlet ports	1/4" NPT-F
Weight	3,3 kg
Temperature range	-30°C to +74°C



## RELATED OPTIONS

- HAS - 2 - two connection
- 4 - two connection
- 6 - two connection