

## POINT OF USE SYSTEMS

## LHPI 300TP

### HIGH PURITY - WALL MOUNTED POINT OF USE

PURE  
GASES



The LHPT 300TP Model is a bench mounted point of use regulator available in chrome plated brass (LHPI 300TPC) or stainless steel (LHPI 300TPS) barstock for pressure control of non-corrosive gases.

#### APPLICATIONS:

- High purity gas applications;
- Research sample systems gases;
- Gas chromatography;
- Calibration gas;
- Process analyzer gases.

#### FEATURES:

- Recommended for non-corrosive gases purity levels up to grade 6.0 (99.9999);
- Ready to install bench mounting panel, modular design;
- 1 inlet port configuration - bottom;
- 1 outlet port configuration - bottom;
- 316L stainless steel diaphragm eliminates contamination from diffusion or outgassing;
- Diaphragm inlet shut-off valves;
- LHPI 100TPC - chrome plated body, bonnet and fittings;
- LHPI 100TPS - 316L stainless steel body, bonnet and fittings;
- 1x10<sup>-9</sup> mbar l/s He inboard helium leak rate to maintain gas purity levels;
- Inlet / outlet - 1/4" FNPT;
- Maximum inlet pressure 60 bar (870 psig);
- Tested for use with oxygen.

#### MATERIALS

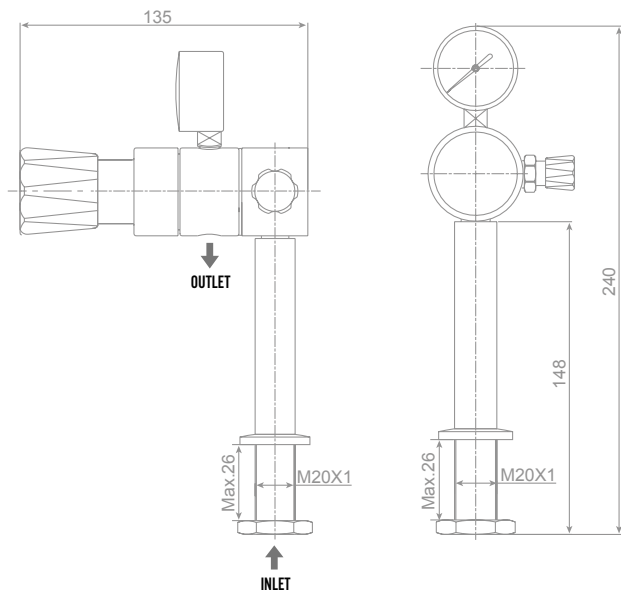
<b>Body, bonnet</b>	316L stainless steel barstock or chrome plated brass barstock
<b>Diaphragm (regulator)</b>	Hastelloy® * C276
<b>Diaphragm (valve)</b>	Hastelloy®*C276
<b>Nozzle</b>	316L stainless steel
<b>Seat</b>	PEEK
<b>Seals O-ring</b>	Viton® *** (FKM)
<b>Filter</b>	SS 316L
<b>Adjust. Knob</b>	ABS plastic

\* Hastelloy® is a registered trademark name of Haynes International, Inc

\*\*\* Viton® is a registered trademark of The Chemours Company

#### TECHNICAL DATA

<b>Panel type</b>	LHPI 100L Single stage
<b>Purity</b>	Up to 6.0
<b>Inlet pressure</b>	Max. 60 bar (780 psi)
<b>Outlet pressure</b>	2/4/10 bar (29/58/145 psi) 20 bar (290 psi)
<b>Flow capacity</b>	Cv = 0,12
<b>Oxygen use</b>	Suitable



SPECIFICATIONS	
Inlet / outlet ports	1/4" NPT-F
Weight	1,6 kg
Temperature range	-30°C to +74°C

