

PRESSURE REGULATORS SECOND STAGE

SRMPHF 12/10

MEDIUM PRESSURE HIGH FLOW REGULATOR

INDUSTRIAL
GASES



Brass pressure regulators controlled by a diaphragm. Balanced shutter, to keep the outlet pressure almost constant and independent of inlet pressure fluctuations. In versions for Air service, self-relieving execution for discharging over-pressure. Pressure range from 0.5 to 6, 10, 16 and 25 bar. Adjustment by knob. Complete with pressure gauge for detecting outlet pressure. Special models (ie, without self-relieving exe.) available on request. The gauge can be mounted on both sides. Important: the use of an upstream filter is strongly recommended.

APPLICATIONS:

- Technical applications;
- Automation;
- Industrial process;
- Welding and laser cutting machines;
- PET bottles and plastic items molding;
- Heating and burning systems.

FEATURES:

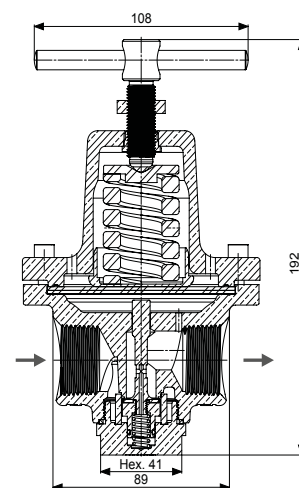
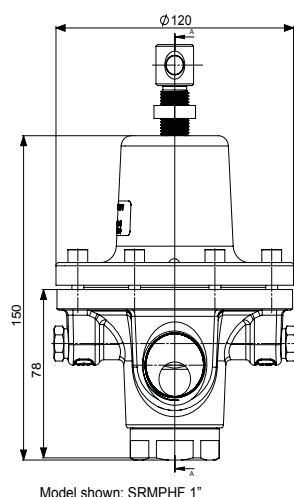
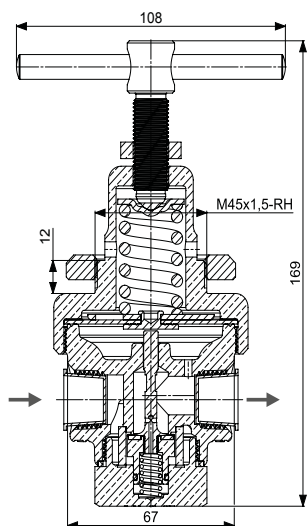
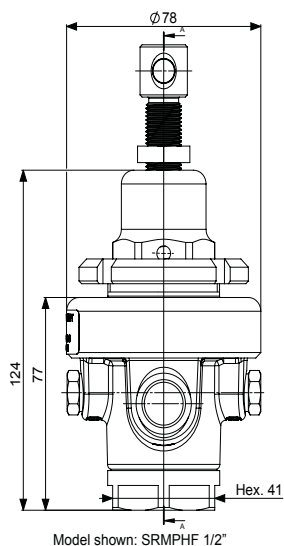
- Spring loaded diaphragm;
- Recommended for non-corrosive gases;
- Suitable for oxygen use.

MATERIALS

Body	Brass
Bonnet	Brass
Diaphragm	NBR

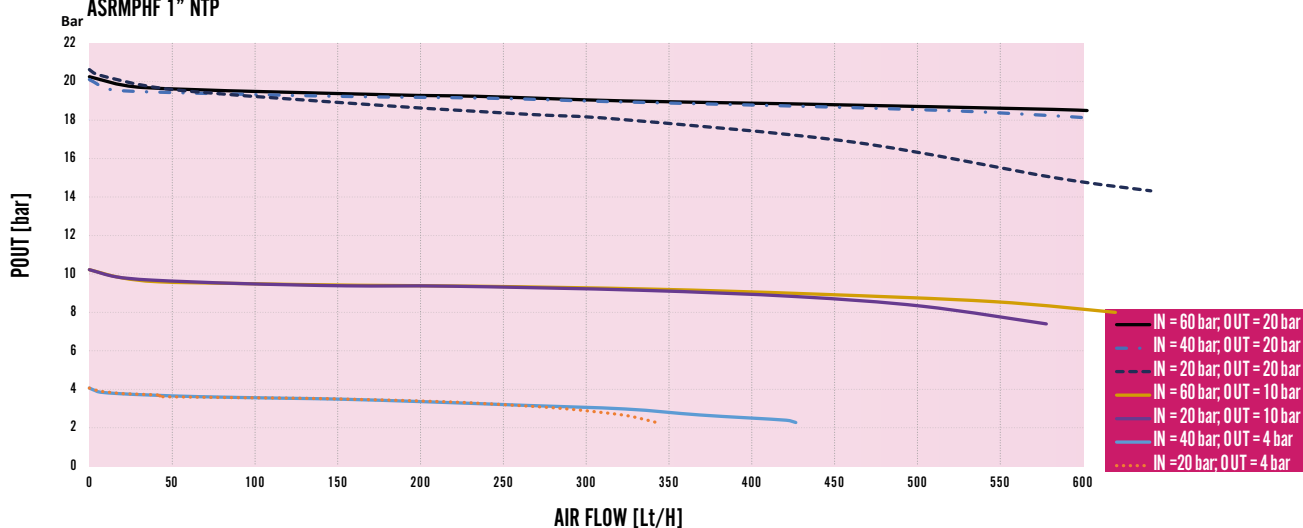
TECHNICAL DATA:

Connection size	Max inlet pressure	Delivery pressure	Max air flow	Delivery pressure gauge
1/2"	60 bar	4 bar	300 m3/h	0 – 6 bar
1/2"	60 bar	10 bar	550 m3/h	0 – 16 bar
1/2"	60 bar	15 bar	>600 m3/h	0 – 25 bar
1/2"	60 bar	25 bar	>600 m3/h	0 – 40 bar
1/2"	60 bar	40 bar	>600 m3/h	0 – 60 bar
1"	60 bar	4 bar	300 m3/h	0 – 6 bar
1"	60 bar	10 bar	500 m3/h	0 – 16 bar
1"	60 bar	20 bar	>600 m3/h	0 – 40 bar



FLOW CHART

ASRMPHF 1" NTP



ASRMPHF 1/2" NTP

