

## PRESSURE REGULATORS FOR NON-CORROSIVE GASES

Line regulators

### H 904L

#### HIGH PURITY SINGLE STAGE GAS REGULATOR

The H 904L Model is a line regulator available in nickel-plated brass (H 904LC) or stainless steel barstock (H 904SL), for pipeline and other applications up to 40 bar (580 psig) inlet pressure.

#### APPLICATIONS:

- High purity gas applications non-corrosive gases (H 904) to for corrosive gases (H 904SL)\*;
- Gas chromatography;
- Calibration gas, purging, blanketing;
- Process analyzer gases;
- Emission monitoring systems.

#### FEATURES:

- Recommended gases purity levels up to grade 5.0 (99.9999) or 6.0 under request\*;
- 302 AISI stainless steel diaphragm eliminates contamination from diffusion or outgassing;
- H 904LC- Brass nickel-plated body for non-corrosive gases;
- H 904SL- Stainless steel body for corrosive gases\*;
- $1 \times 10^{-8}$  mbar l/s He inboard helium leak rate to maintain as purity levels;
- $1 \times 10^{-9}$  mbar l/s under request;
- 4 ports flexible configuration;
- Bonnet venting holes for safety;
- Maximum inlet pressure 40 bar (580 psig), except for Acetylene 25 bar (362 psig);
- Standard internal relief valve (IRV) for acetylene version;
- Cleaned for oxygen service;

\*after prior confirmation of the material's compatibility

PURE GASES



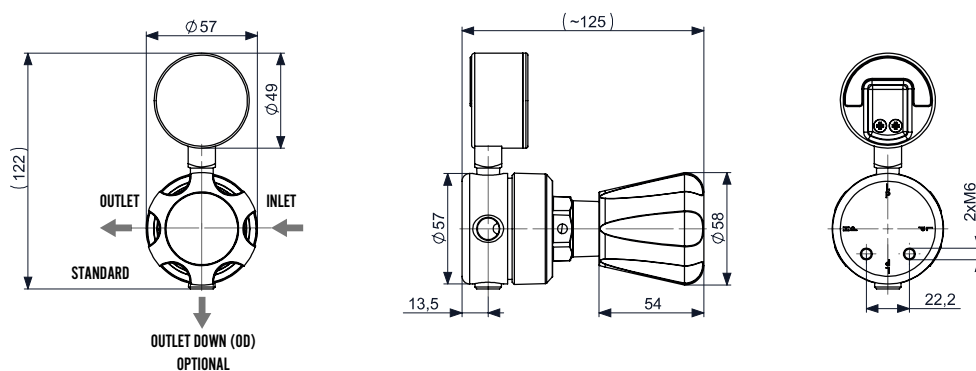
#### MATERIALS

<b>Body</b>	nickel-plated barstock (H 904CL)/ stainless steel ASI 316L barstock (H 904SL)
<b>Bonnet</b>	Nickel-plated ZnAl
<b>Diaphragm</b>	302 AISI stainless steel
<b>Nozzle</b>	Brass (H 904CL)/ Stainless steel (H 904SL)
<b>Seat</b>	PTFE/ PCTF
<b>Seals</b>	EPDM (H 904CL/ Viton (H 904SL)
<b>Filter</b>	Sintered bronze (H 904LC)/ Stainless steel (H 904SL)-10 micron
<b>Adjust. Knob</b>	ABS plastic

#### TECHNICAL DATA

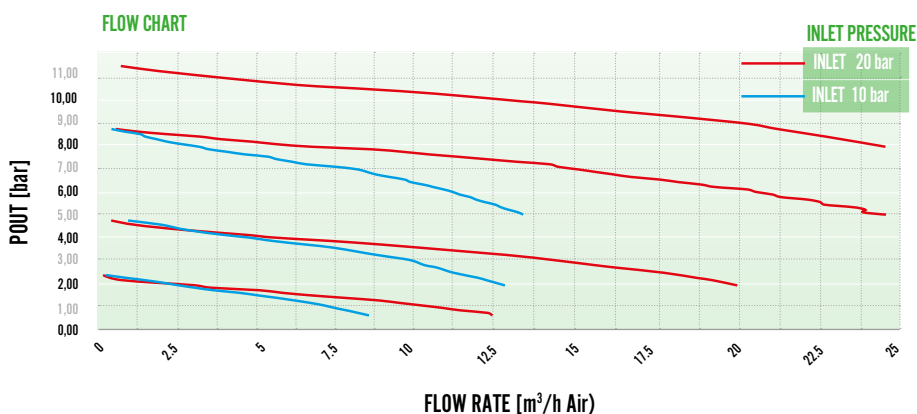
<b>Type</b>	Single-stage
<b>Purity</b>	Up to 5.0 standard/6.0 under request*
<b>Inlet pressure</b>	Max. 300 bar (4350 psig)- For Acetylene AA: max.25 bar (362psig)
<b>Outlet pressure</b>	1,5/2/4/10/20 bar (21/2 9/58/145/290 psig) -For Acetylene AA:1,5 bar (21psig)
<b>Flow capacity</b>	$K_v = 0, 1470$ ( $C_v = 0, 17$ )
<b>Gauge</b>	49 mm dual scale (bar/psig)
<b>Oxygen use</b>	Suitable

## Line regulators



## SPECIFICATIONS

Inlet / outlet ports	1/4" NPT-F
Weight	1,04 kg



## RELATED OPTIONS:

Wall mounting bracket

