

GAS SUPPLY PANELS

LHPI 904

HIGH PURITY SEMI AUTOMATIC SWITCHOVER SUPPLY PANEL

The LHPI904 is a semi-automatic high purity switchover prevents downtime by automatically switching gas supply panel from the primary cylinder bank to the reserve cylinder bank. The user resets the primary bank by turning the knob.

Outlet pressure is factory pre-set.

APPLICATIONS:

- Laboratory pressure control;
- Research sample systems gases;
- Component testing;
- Petrochemical industry;
- Emission monitoring systems;
- Controlled atmosphere;
- Service & test equipment.

FEATURES:

- Recommended for non-corrosive gases purity levels up to grade 5.0;
- Wall mounting panel and brackets included;
- Ready to install wall mounting panel;
- Metal steel diaphragm eliminates contamination from diffusion or outgassing;
- Purge function and diaphragm shut-off valves for the best results;
- Possible to connect 2 gas cylinders or gas cylinder and a gas for purging operation;
- LHPI 904PCA - chrome plated body, bonnet and fittings;
- LHPI 904PSA - 316L stainless steel body, bonnet and fittings;
- 1x10⁻⁹ mbar l/s He inboard helium leak rate to maintain gas purity levels;
- Inlet / outlet - 1/4" FNPT;
- Maximum inlet pressure 300 bar (4350 psig);
- Tested for use with oxygen.



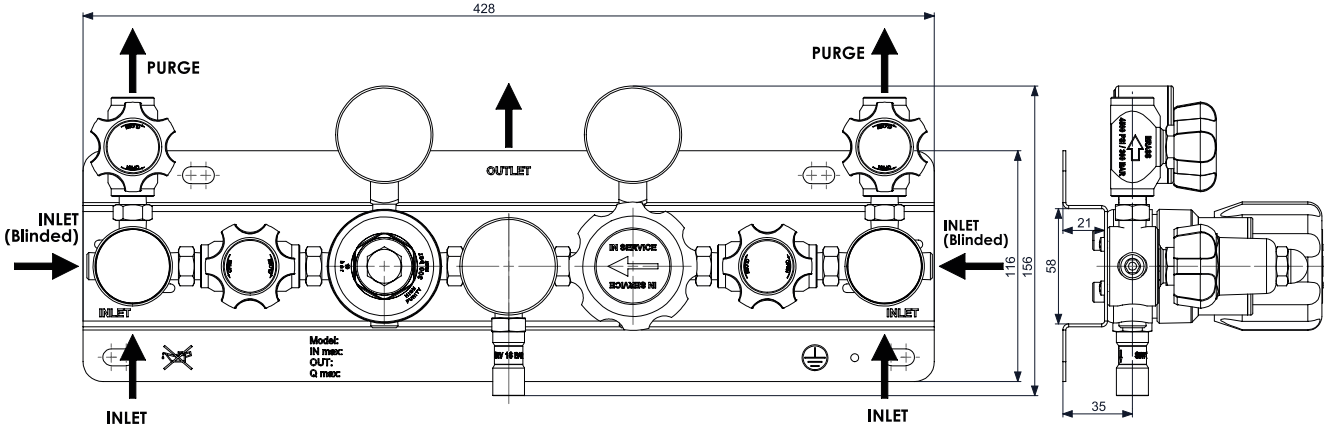
MATERIALS

Body, bonnet	316L stainless steel barstock LHPI 200PS or chrome plated brass barstock LHPI 100PC
Diaphragm (regulator)	316L stainless steel
Diaphragm (valve)	Elgiloy®*
Nozzle	Brass
Seat	Brass
Seals O-ring	KEL-F
Filter	Bronze 10 Micron
Adjust. Knob	ABS plastic

*Elgiloy® a registered trademark of Elgiloy Specialty Metals

TECHNICAL DATA

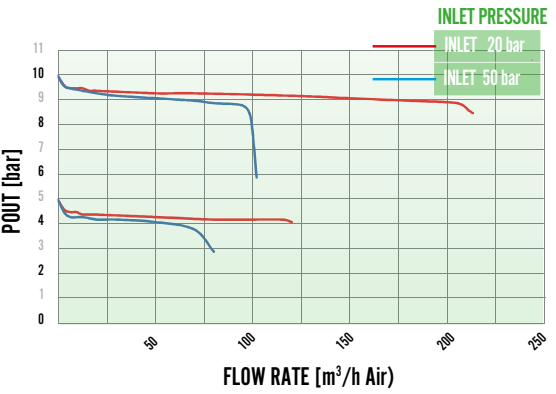
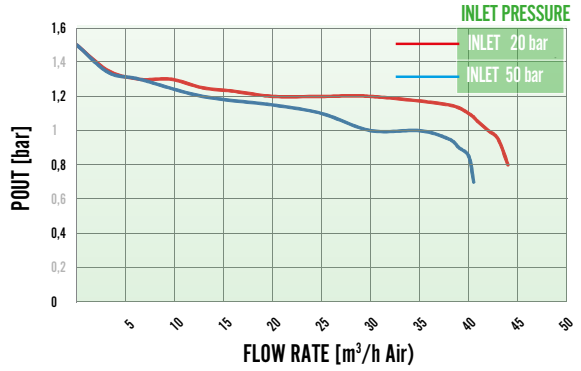
Panel type	Semi-automatic switchover supply panel
Regulator type	Single stage
Purity	Up to 5.0
Inlet pressure	Max. 300 bar (4350 psi)
Outlet pressure	2/4/10/20 bar (29/58/145/290 psi)
Purge function	Yes
Oxygen use	Suitable



SPECIFICATIONS

Inlet / outlet ports	1/4" NPT-F
Weight	4,8 kg
Temperature range	-30°C to +74°C

FLOW CHART



2

PURE GASES