

## PRESSURE REGULATORS

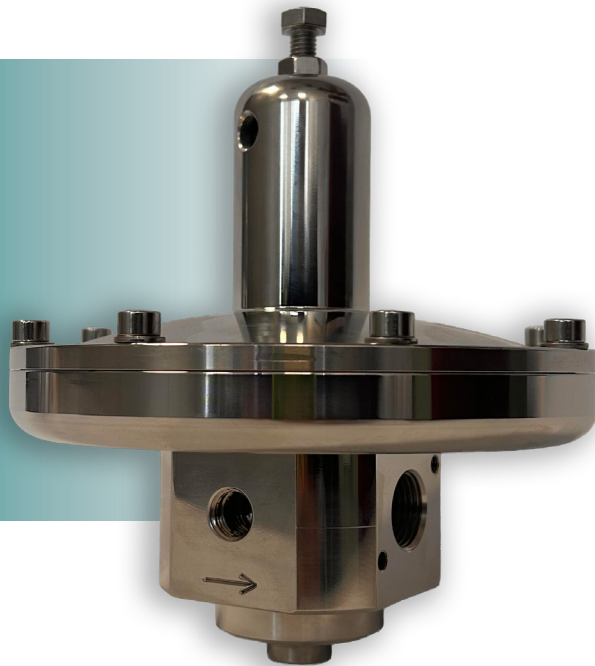
Stainless steel/Aluminium

### TCR 1



STANDARD SERIES FROM 1"1/2 TO 3/4", 10 BAR

OIL & GAS



"Pressure regulator of stainless steel 316L or aluminum, for controlling very low outlet pressure: from 5 mbar to 1 bar, according to the setting spring. Its robust construction allows inlet pressure up to 10 bar.

A large diaphragm grants, at the same time, low outlet pressure and high accuracy, also in presence of great flow. The diaphragm is made by enforced NBR coated by PTFE, in order to prevent contamination and grant long life to the diaphragm itself. Outlet pressure is set by a hexagonal setting screw. Connections for outlet pressure gauge are on both the sides. Special executions on requests Important: a filter up-stream the pressure regulator is strictly recommended."

#### APPLICATIONS:

- Blanketing of tanks;
- Pharmaceutical industries;
- Chemical industry;
- Process application;
- Food and beverage industry;

#### FEATURES:

- Low level of roughness;
- Compatible for using in aggressive environment;
- Suitable to be cleaned with the most common processes.

#### MATERIALS

Body, bonnet	316L stainless steel/Aluminium
Seals	HNBR – EPDM - FKM - Silicone
Diaphragm	HNBR +PTFE
Internal parts	316L stainless steel
Shutter	PU - HNBR – EPDM - FKM - Silicone

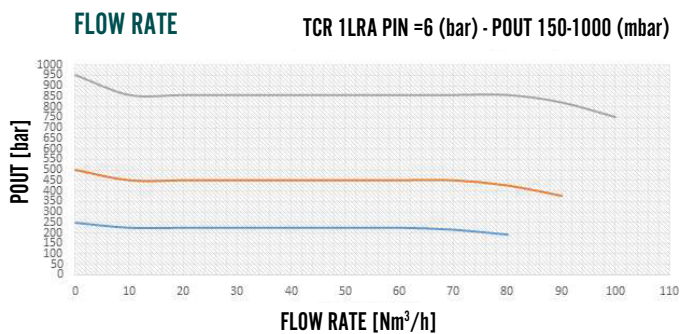
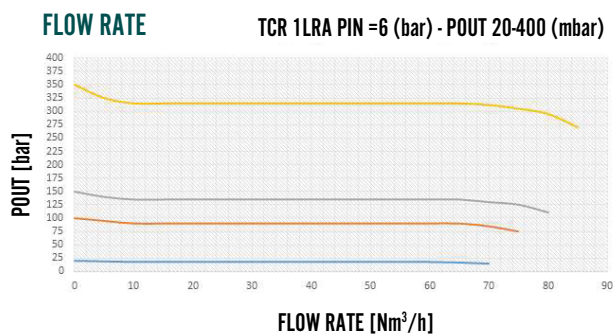
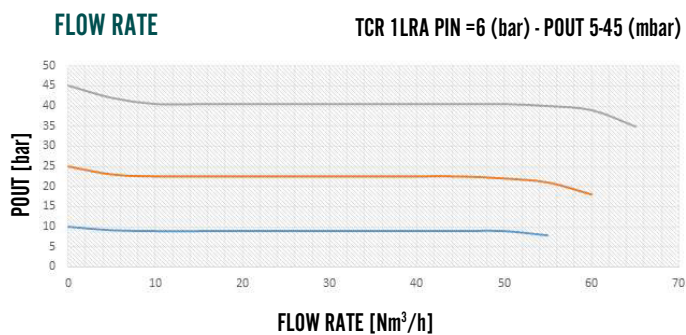
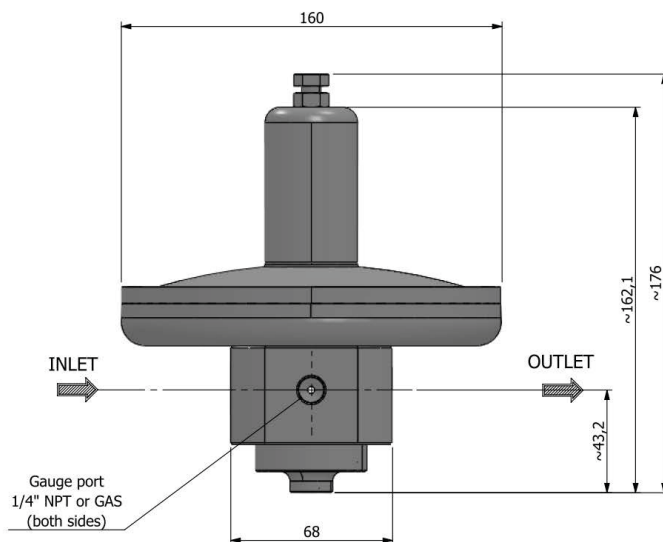
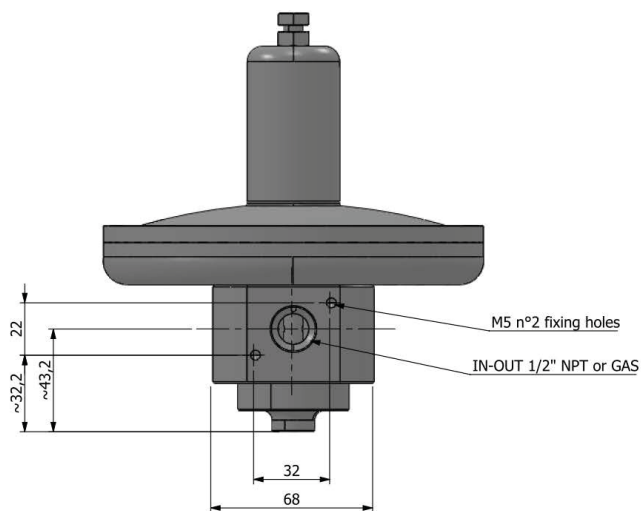
#### TECHNICAL DATA

1/2" -3/4"

Port thread	1/2" BSPP F – 1/2" NPT - BSPP F
P. max Inlet	10 Bar
Range outlet pressure	5-50 mbar/20-350 mbar/200-950 mbar
Gauge connections	1/4" BSPP F - 1/4" BSPP F
Self-relieving port	NO
Flow rate*	95 Nm <sup>3</sup> /h
Weight	5kg
Working temp.	-25°C to +110°C
Conformity to Directives	2014/34/EU ATEX - ASTM A182 Nace MR0.175 - 2014/68/EU PED

\*) P<sub>in</sub> 10bar, P<sub>out</sub> 6.3bar, ΔP 1bar

## Stainless steel/Aluminium



### OPTIONALS :

- Bracket • Gauge • Flanges (EN1092-1 / ANSI) • Tri-Clamp • Anodized Aluminum Knob