

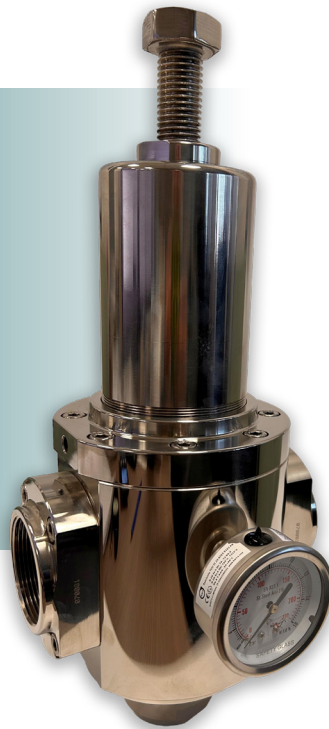
PRESSURE REGULATORS

Stainless steel

TCR 6X IV SERIES

STANDARD SERIES FROM 1"1/2 TO 2", 60 BAR

OIL & GAS



Pressure Regulators made of stainless steel 316 L designed and manufactured for heavy-duty applications. Control system with piston. Balanced poppet-valve (shutter) to keep the outlet pressure almost constant and independent from inlet pressure fluctuations. Self-relieving execution for exhausting over-pressure, just for compressed air application. Outlet pressure range till to 50 bar (725 psi). Adjusting by screw with hex. head. Connections for outlet pressure gauge on both sides Special version (i.e. no self-relieving for gases and liquid) on request.

Important: the use of an upstream filter is always recommended.

APPLICATIONS:

- Pharmaceutical industry;
- Chemical industry;
- Oil & gas and Off Shore applications
- Food industry

FEATURES:

- Particular attention to the low level of surface roughness, to grant high cleaning standard;
- Compatible for use in aggressive environments;
- Suitable for extreme temperatures (-60°C), critical environments, hazardous applications;
- Suitable to be cleaned and sanitized by the most common processes;

MATERIALS

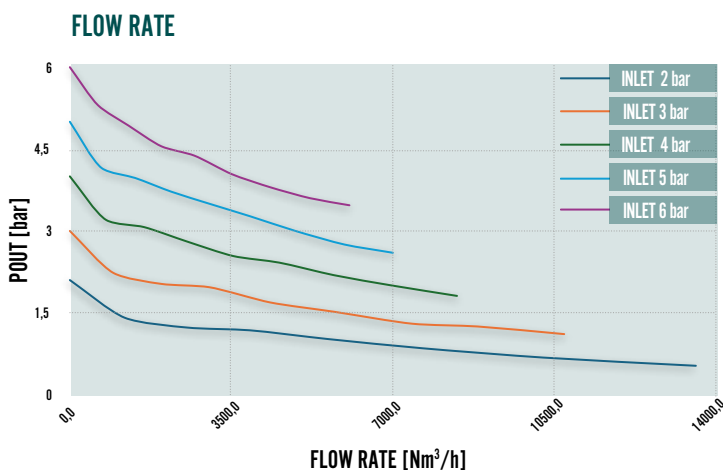
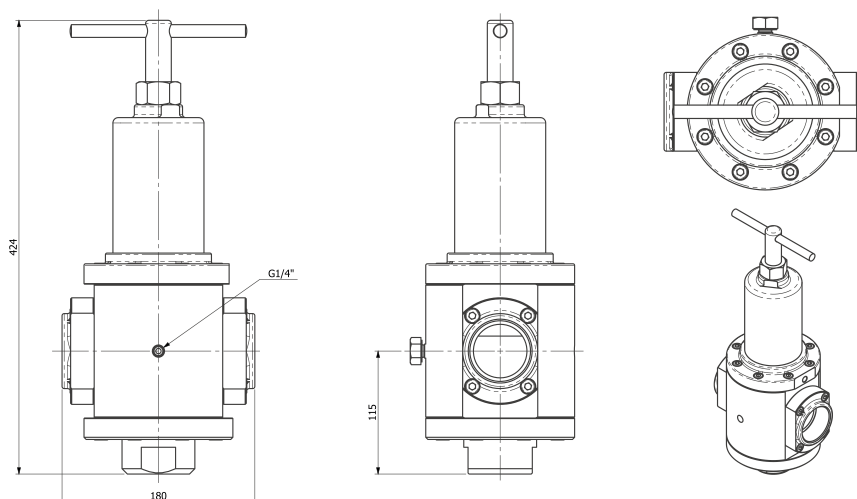
Body, bonnet	316L stainless steel
Seals	NBR – EPDM - FKM - Silicone
Piston	316L stainless steel
Internal parts	316L stainless steel
Shutter	PU - NBR – EPDM - FKM - Silicone

TECHNICAL DATA

	1"1/2 SERIES IV	2" SERIES IV
Port thread	1"1/2 BSPP F – 1"1/2 NPT F	2" BSPP F – 2" NPT F
P. max Inlet	60 Bar (50 bar Temp>80°C)	
Range outlet pressure	0.3-3 / 0.5-8 / 0.5-17.2 / 2,5-25 / 5-50 Bar 44-44 / 7.2-116 / 7.2-250 / 36-362 / 72,5-725 Psi	
Gauge connections	¼" BSP F - ¼" NPT F	
Self-relieving port	1/8" GF	1/8" BSP F
Flow rate*	1500 Nm3/h	
Kv*	Kv = 4.23 Nm3/h (EN 60534)	
Weight	20kg/3lb	20kg/5lb
Working temp.	-25°C to +110°C (HNBR) / -50°C to +130°C (EPDM) / -60°C to +230°C Silicone / -20°C +200°C FKM (optional)	
Conformity to Directives	2014/34/EU ATEX - ASTM A182 Nace MR0.175 - 2014/68/EU PED	

*) P_{IN} 10bar, P_{OUT} 6.3bar, ΔP 1bar

Stainless steel



OPTIONALS :

- Bracket
- Gauge
- Flanges (EN1092-1 / ANSI)
- Without relieving
- Dome loaded execution
- Threaded connection for exhausting gas on bonnet