

## PRESSURE REGULATORS

### H891 SERIES

#### PRESSURE REGULATOR DOUBLE STAGE

INDUSTRIAL  
GASES



Pressure Regulators made of brass dual-stage for cylinder or line with control system double shutter and diaphragm. Ideal for applications where high stability in the regulated pressure is required. Setting range from 1.5, 4, 10 bar. Complete with 2 pressure gauges for reading the inlet pressure and outlet pressure.

#### APPLICATIONS:

- Used where stable outlet pressure is required;
- Ideal for quality cutting applications, laboratory systems or precision machine cutting;

#### FEATURES:

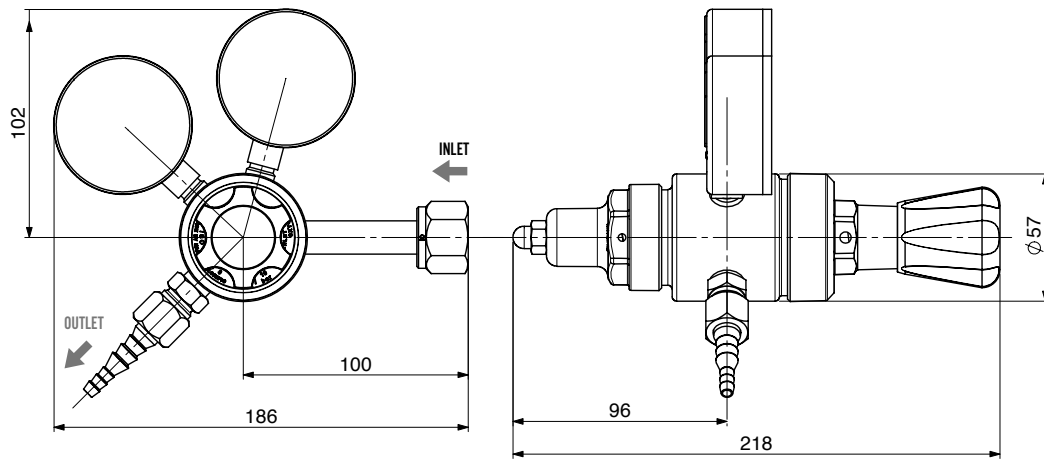
- Barstock brass body for maximum strength
- Maximum inlet pressure of 230 bar (300 bar optional)
- First stage reduces full cylinder pressure by approximately 90%
- Side entry
- B version fitted with black bonnet and black gauge case
- Temperature Range: -20 +60 °C
- Leak rate: max 10 cmq/h, according to ISO 9090
- Weight: 2.3 Kg
- Bonnet first stage in Brass, second stage in Zama 15
- Diaphragm in Neoprene
- Valve seat in PTFE (Teflon)
- Pressure gauges according to ISO 5171

#### MATERIALS

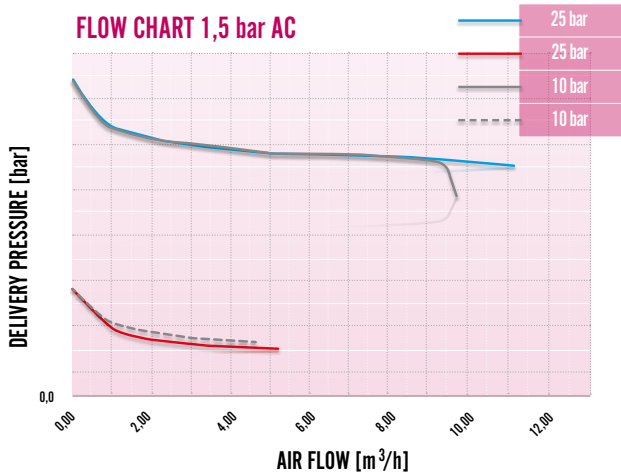
Body	Brass
Bonnet	Brass
Internal parts	Brass
Shutter	PTFE

#### TECHNICAL DATA

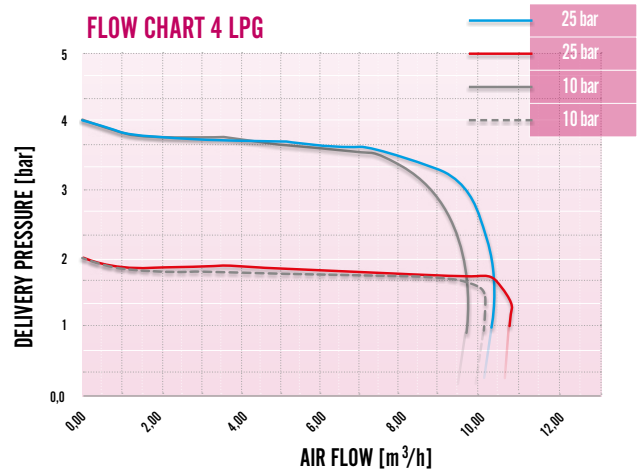
Flow rate	45 Nm <sup>3</sup> /h
P. max Inlet	230 bar (300 optional)
Temperature range	-10°C +60°C
Weight	2.3 kg
Delivery pressure	0,5-1.5 bar / 0-4 bar / 0-10 bar
Gauges	Diam 63 mm/According to ISO5171



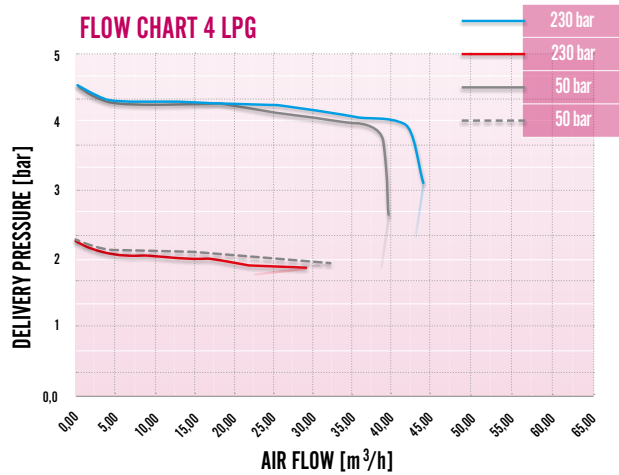
**FLOW CHART 1,5 bar AC**



**FLOW CHART 4 LPG**



**FLOW CHART 4 LPG**



Code	Gas	Max Inlet Pressure	Delivery Pressure	Max Air Flow	Delivery Pressure Gauge	Supply Pressure Gauge
H891C2H21.5	Acetylene	25 bar	0 - 1,5 bar	12 (m3 / h)	0 - 2,5 bar	0 - 40 bar
H891GPL4	Propane	25 bar	0 - 4 bar	9 (m3 / h)	0 - 6 bar	0 - 40 bar
H891024	Oxygen	230 bar	0 - 4 bar	30 (m3 / h)	0 - 6 bar	0 - 315 barr
H891N24	Argon, CO2, Nitrogen, Air, Helium, Hydrogen, Methane	230 bar	0 - 4 bar	30 (m3 / h)	0 - 6 bar	0 - 315 bar
H8910210	Oxygen	230 bar	0 - 10 bar	42 (m3 / h)	0 - 16 bar	0 - 315 bar
H891N24	Argon, CO2, Nitrogen, Air, Helium, Hydrogen, Methane	230 bar	0 - 10 bar	42(m3 / h)	0 - 16 bar	0 - 315 bar

[\*] The regulator is available for all the listed gases. When ordering always specify which gas